

FAMAG® Brad point drill bit HSS-G



Brad point drill bit set HSS-G , long version „Excellent“ - for insect houses

5-pcs set consisting of:
brad point drill bit HSS-G 1599, total length 250 mm
Ø 3, 4, 5, 6, 8 mm
in plastic tube

Article No. 1599.805

***€ 84,60 plus VAT**



Brad point drill bit set HSS-G „Excellent“

19-pcs set consisting of:
brad point drill bit HSS-G 1594
Ø 1 - 10 mm, steps of 0,5 mm
in plastic box

Article No. 1594.819

***€ 114,55 plus VAT**



Brad point drill bit set HSS-G „Excellent“

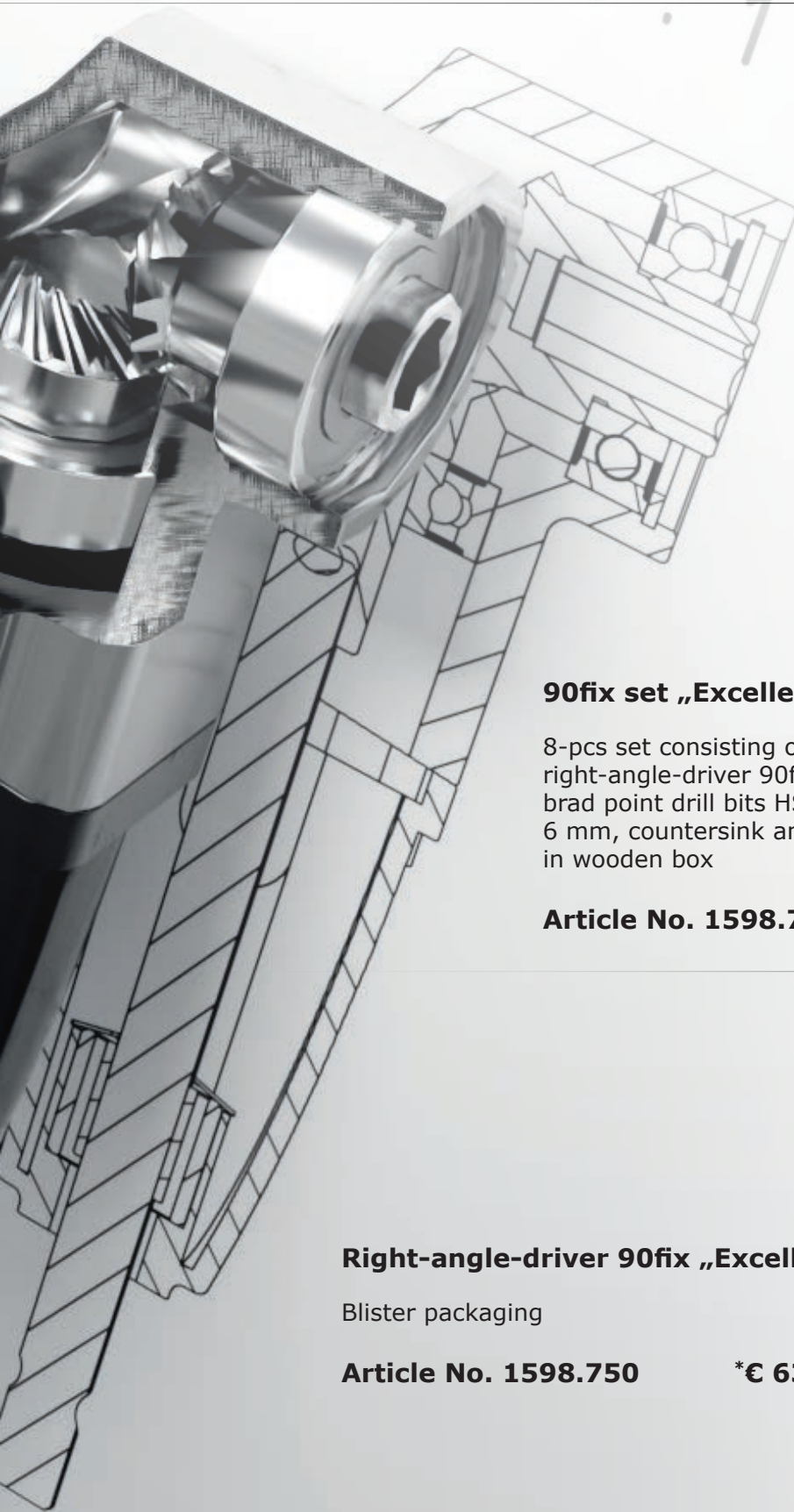
25-pcs set consisting of:
brad point drill bit HSS-G 1594
Ø 1 - 13 mm, steps of 0,5 mm
in plastic box

Article No. 1594.825

***€ 203,60 plus VAT**

For further information please contact your local dealer!

FAMAG® Right-angle-driver 90fix



90fix set „Excellent“

8-pcs set consisting of:
right-angle-driver 90fix 1598,
brad point drill bits HSS-G bits, short, with bit shank \varnothing 3, 4, 5, 6 mm, countersink and drill chuck
in wooden box

Article No. 1598.757

***€ 85,25 plus VAT**

Right-angle-driver 90fix „Excellent“

Blister packaging

Article No. 1598.750

***€ 63,95 plus VAT**



FAMAG® TCT router bits



TCT router bit set ,Profi line` 12-pcs.

12-pcs. TCT router bit set, shank-Ø 8 mm, in plastic box

- » 1 pc. flush trim bit, with ball bearing (Ø 12,7 mm, CL 25,4 mm)
- » 1 pc. dovetail bit (Ø 14,3 mm, CL 12,7 mm)
- » 1 pc. V-groove bit (Ø 12,7 mm, 90°)
- » 1 pc. cove bit (Ø 12 mm, R6 mm)
- » 1 pc. cove bit with ball bearing (Ø 21,5 mm, R6 mm)
- » 3 pcs. straight bit (Ø 8, 12, 16 mm, CL 20 mm)
- » 2 pcs. rounding over bit (R6 mm + R9,5 mm)
- » 1 pc. chamfer bit (Ø 28 mm, 45°)
- » 1 pc. profile bit (Ø 27 mm, R4 mm)

Article No. 3382.812

€ 110,70 plus VAT



TCT router bit set ,Profi line` 22-pcs.

12-pcs. TCT router bit set, shank-Ø 8 mm, in plastic box

- » 1 pc. flush trim bit, with ball bearing (Ø 12,7 mm, CL 25,4 mm)
- » 1 pc. dovetail bit (Ø 14,3 mm, CL 12,7 mm)
- » 1 pc. engraving bit (Ø 12,7 mm, 60°)
- » 1 pc. V-groove bit (Ø 12,7 mm, 90°)
- » 2 pcs. cove bit (Ø 8 mm, R4 mm + Ø 12 mm, R6 mm)
- » 2 pcs. cove bit with ball bearing (Ø 19,5 mm, R5 mm + Ø 25,5 mm, R8 mm)
- » 6 pcs. straight bit (Ø 6, 8, 10, 12, 16, 20 mm, CL 20 mm)
- » 2 pcs. rounding over bit (Ø 22,7 mm, R5 mm + Ø 28,7 mm, R8 mm)
- » 1 pc. chamfer bit (Ø 28 mm, 45°)
- » 1 pc. bevel trim bit (Ø 19,9 mm, 22°)
- » 1 pc. rabbeting bit (Ø 31,8 mm, CL 12,7 mm)
- » 1 pc. bull nose bit (Ø 22,2 mm, R3,18 mm)
- » 1 pc. profile bit (Ø 21 mm, R5 mm)
- » 1 pc. profile bit with ball bearing (Ø 27 mm, R4 mm)
- » 2 pcs. replacement ball bearings

Article No. 3382.822

€ 187,40 plus VAT

FAMAG® Drill bit-countersink set for terrace construction



Drill bit - countersink set for terrace construction with rotating depth stop

3-pcs set consisting of:

Drill bit-countersink Ø 3/4/5 mm
rotating depth stop,
pre-assembled on each countersink

Article No. 3577.504

***€ 65,45 plus VAT**



FAMAG® TCT - Bormax³ prima



Bormax³ TCT prima „Excellent“

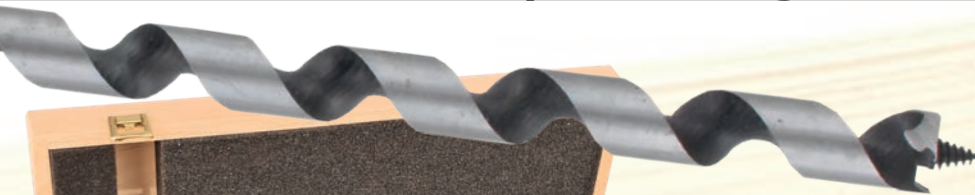
5-pcs set consisting of:
Bormax³ TCT prima 1664
Ø 15, 20, 25, 30, 35 mm
incl. centre point and pre-drill bit Ø 4 mm
in wooden box

Article No. 1664.505

€ 281,00 plus VAT



FAMAG® Bormax® prima - auger bit combination set



Bormax® prima-auger bit combi set „Profi“

10-pcs set consisting of:
Bormax® prima long 1614 Ø 40, 50, 60 mm incl. HSS centre bit
Ø 4 mm 1619 and hex wrench
guiding pin Ø 12, 14, 18 mm
auger bit Lewis 1410 total length 320 mm
Ø 12, 14, 18 mm in wooden box

Article No. 1614.510

***€ 362,60 plus VAT**

